



## Vestil Manufacturing Co.

2999 North Wayne Street, P.O. Box 507, Angola, IN 46703

Telephone: (260) 665-7586 -or- Toll Free (800) 348-0868

Fax: (260) 665-1339

[www.vestilmfg.com](http://www.vestilmfg.com) e-mail: [sales@vestil.com](mailto:sales@vestil.com)

# MTC-Series Manual Trash Compactors

## Instruction Manual



After delivery, immediately remove the packaging from the product in a manner that preserves the packaging and maintains the orientation of the product in the packaging; then inspect the product closely to determine whether it sustained damage during transport. If damage is discovered during the inspection, immediately record a complete description of the damage on the bill of lading. If the product is undamaged, discard the packaging.

### **NOTES:**

1) Compliance with laws, regulations, codes, and non-voluntary standards enforced in the location where the product is *used* is exclusively the responsibility of the owner/end-user.

2) Vestil is **not liable** for any injury or property damage that occurs as a consequence of failing to apply either: a) the instructions in this manual; or b) information provided on labels affixed to the product. Neither is Vestil responsible for *any* consequential damages sustained as a result of failing to exercise sound judgment while assembling, installing, using or maintaining this product.

### **Table of Contents**

Signal words.....	2
Product specifications.....	2 – 3
FIG. 1: Exploded parts diagram and bill of materials.....	4
Assembly instructions.....	6
Operation instructions.....	6
Moving the compactor .....	7
Inspections & Maintenance.....	7 - 8
Label Placement Diagram.....	8
Limited Warranty.....	9

**SIGNAL WORDS:**

This manual uses SIGNAL WORDS to indicate the likelihood of personal injuries, as well as the probable seriousness of those injuries, if the product is misused in the ways described. Other signal words call attention to uses of the product likely cause property damage.

The signal words used appear below along with the meaning of each word:



Identifies a hazardous situation which, if not avoided, WILL result in DEATH or SERIOUS INJURY. Use of this signal word is limited to the most extreme situations.



Identifies a hazardous situation which, if not avoided, COULD result in DEATH or SERIOUS INJURY.



Indicates a hazardous situation which, if not avoided, COULD result in MINOR or MODERATE injury.



Identifies practices likely to result in product/property damage, such as operation that might damage the product.

Each person who assembles, installs, uses, or maintains this product should read the entire manual and fully understand the directions in advance. If after reading the manual you do not understand an instruction, ask your supervisor or employer for clarification, because failure to adhere to the directions in this manual might result in serious personal injury.

**Product specifications:**

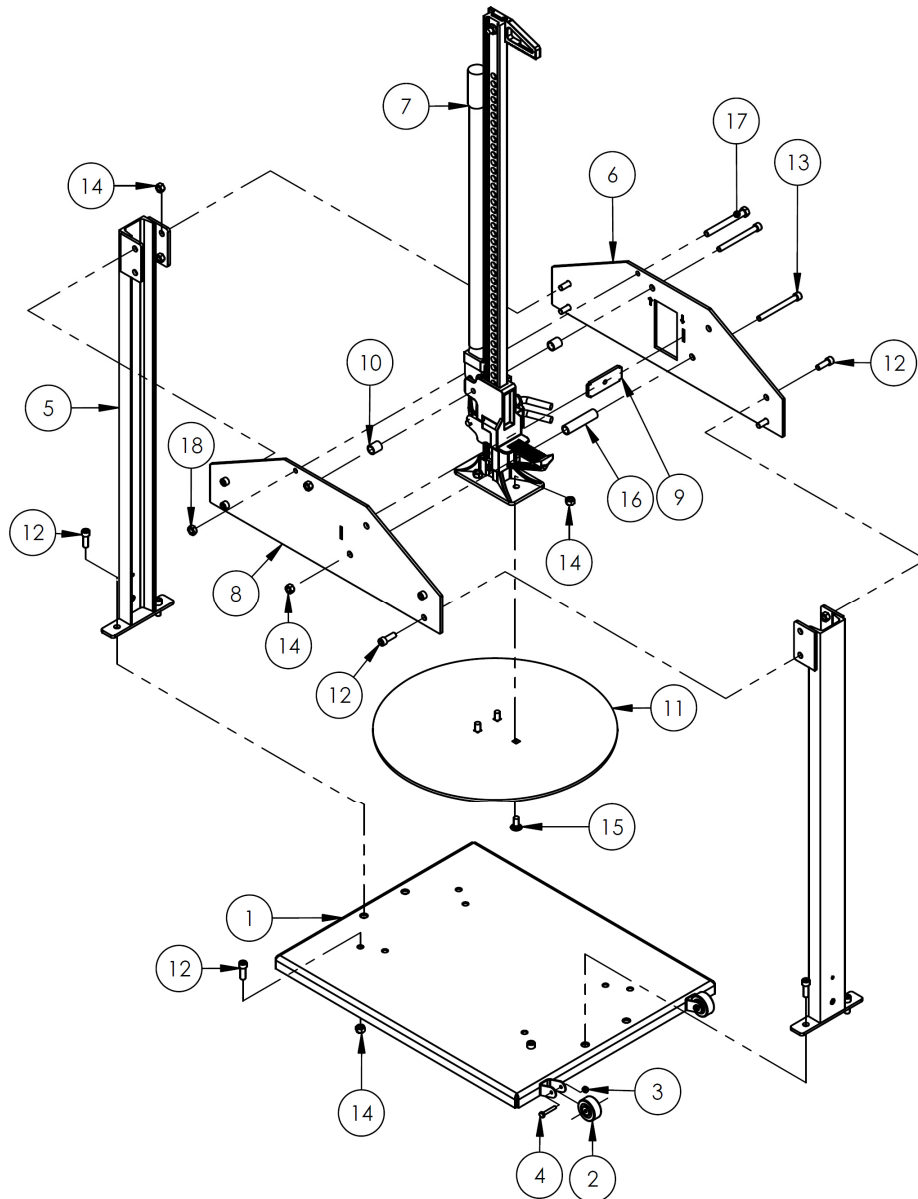
To provide strength, each MTC is constructed from steel components. Powder coating provides protection from the elements. The jack produces 7,000 pounds of compacting force, which allows the operator to reduce the size of waste material and optimize space in waste storage drums. Additionally, both designs include wheels on one side of the base plate to allow an operator to easily reposition the unit. Each compactor has a handle storage pin to prevent the handle from pivoting downwards and potentially inflicting injuries while the compactor is in storage.

Dimensions and other important product specifications appear in the table below.

Model	Dimensions (W x L x H)	Maximum Compacting Force	Net Weight
MTC-30	32 <sup>1</sup> / <sub>16</sub> " X 24 <sup>1</sup> / <sub>4</sub> " X 85 <sup>9</sup> / <sub>16</sub> " (81.4cm x 61.6cm x 217.3cm)	7000 ~3182kg	155 ~70kg
MTC-55	32 <sup>1</sup> / <sub>16</sub> " X 24 <sup>1</sup> / <sub>4</sub> " X 85 <sup>9</sup> / <sub>16</sub> " (81.4cm x 61.6cm x 217.3cm)	7000 ~3182kg	163 ~74kg

Options			
Model	Dimensions	Roll-Out Load Capacity	Net Weight
MTC-RB (ROLL OUT BASE)	29 <sup>1</sup> / <sub>4</sub> " X 26 <sup>3</sup> / <sub>4</sub> " X 4 <sup>3</sup> / <sub>4</sub> " (74.3cm x 67.9cm x 12.1cm)	800 ~364kg	53 ~24kg

MTC Exploded Parts Diagram & Bill of Materials

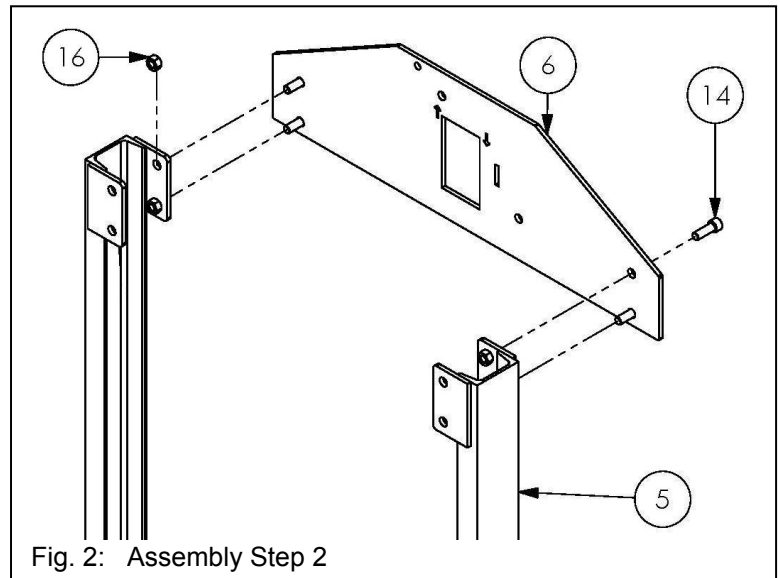
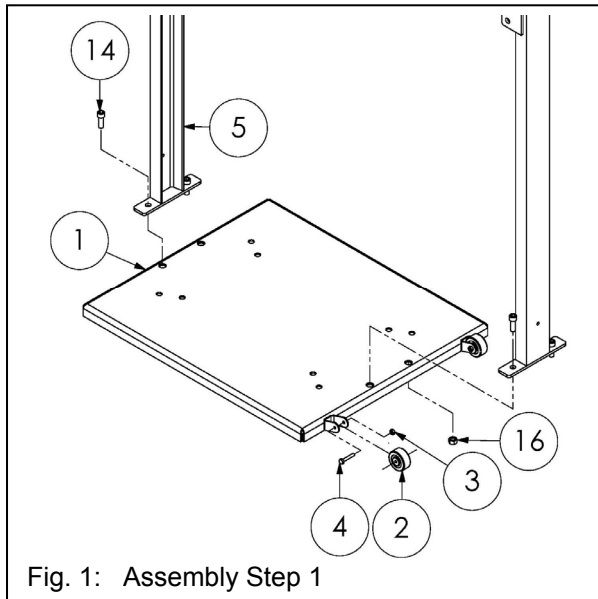


Item no.	Part no.	Description	Qty.	Item no.	Part no.	Description	Qty.
1	22-514-018	Weldment, base	1	10	22-113-004	Jack spacer	2
2	16-132-225	2" x 7/8" x 1/4" bore rubber wheel	2	11	22-014-049	Compactor plate: MTC-30 (16 lb.; 17" diameter x 1/4" thick)	1
				11	22-014-050	MTC-55 (25 lb.; 21" diameter x 1/4" thick)	1
3	37018	1/4" - 20 UNC zinc-plated Nylock nut	2	12	23357	7/16" - 14 x 1 1/4" SHCS bolt	14
4	11009	1/4" - 20 UNC x 1 1/2" #2 HHCS zinc-plated bolt	2	13	23371	7/16" - 14 x 4 1/2" SHCS bolt	2
5	22-514-019	Weldment, vertical support	2	14	37027	7/16" - 14 UNC zinc-plated Nylock nut	19
6	22-016-024	Bracket, front jack support	1	15	21455	7/16" - 14 UNC x 1" zinc-plated carriage bolt	3
7	22-543-001	Jack assembly	1	16	22-113-004	Jack spacer: MTC-30	1
				16	22-113-005	MTC-55	1
8	22-016-025	Bracket, back jack support	1	17	11221	1/2" - 13 UNC x 4 1/2" hex head bolt	1
9	22-016-029	Jack center support	1	18	37032	1/2" nylon insert jam nut	1

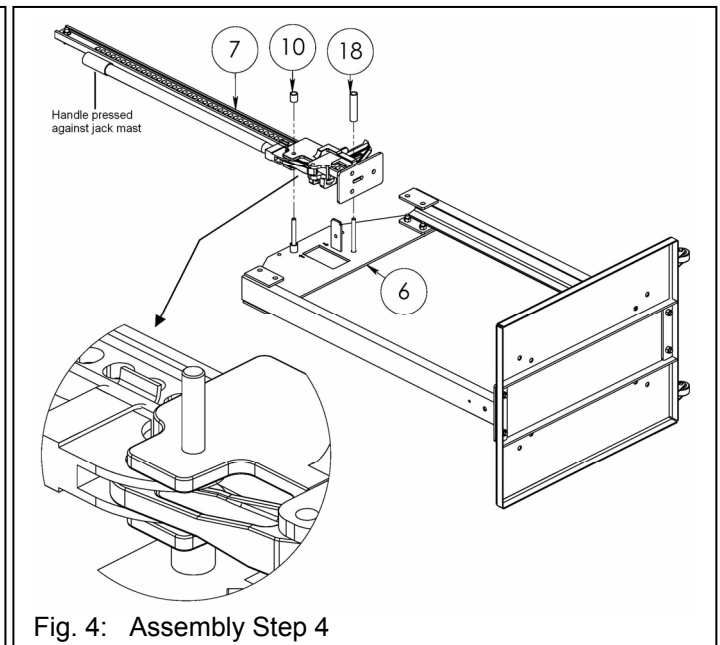
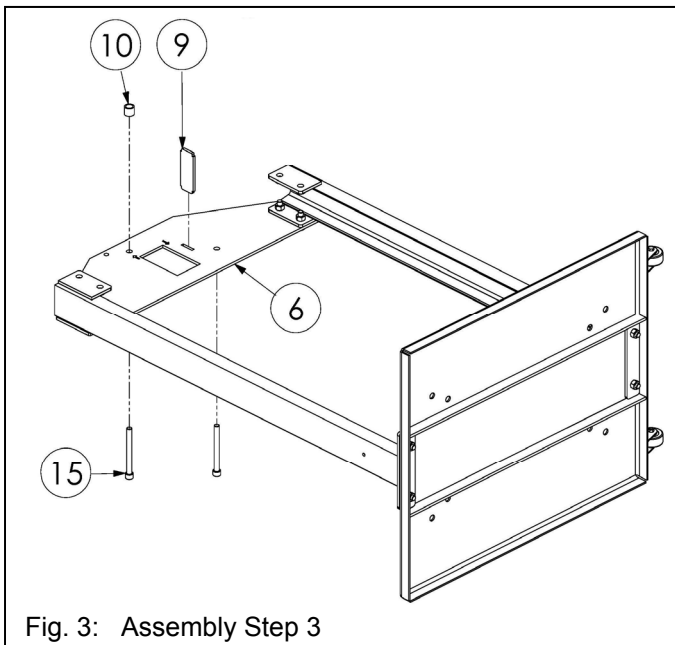
## Assembly Instructions:

The numbers in parentheses correspond to item numbers in the Parts List table on p. 3.

**Step 1:** Fasten wheels (2) in the brackets using  $\frac{1}{4}$ -20 x  $1\frac{1}{2}$ " bolts (4) and  $\frac{1}{4}$ -20 nylock nuts (3). Bolt the vertical supports (5) onto the base (1) using  $\frac{7}{16}$ -14 x  $1\frac{1}{4}$ " bolts (14) and  $\frac{7}{16}$ -14 nylock nuts (16). (See Fig. 1 below.)



**Step 2:** As shown in Fig. 2, fasten the front jack plate (6) onto vertical supports (5) using bolts (14) and nylock nuts (16). Labels must face outwardly to be visible to users.



**Step 3:** Lay the partially assembled unit on its side as depicted in Fig. 3, and then insert bolts (15) through the holes in the jack plate. Slide a short jack spacer (10) over the top bolt. Press the jack center support (9) into the appropriate slot.

**Step 4:** [NOTE: Press the handle against the jack mast in order to properly connect the jack to the frame.] Guide the installed bolts (15) through the corresponding openings in the jack, as shown in Fig. 4; then slide the remaining spacer (10) onto the top bolt and the long jack spacer (18) onto the other bolt. If correctly installed, the top bolt will project through the holes in the jack handle as well as the holes in the upper jack slide as shown in the enlarged view in Fig. 4.

**Step 5:** Fasten the back jack plate (8) onto the vertical supports (5) using #14 bolts and 7/16-14 nylock nuts (Fig. 5). Make sure jack center support (9) aligns with the slot on back jack plate. Twist nylock nuts (16) onto the ends of the bolts to secure the jack in place.

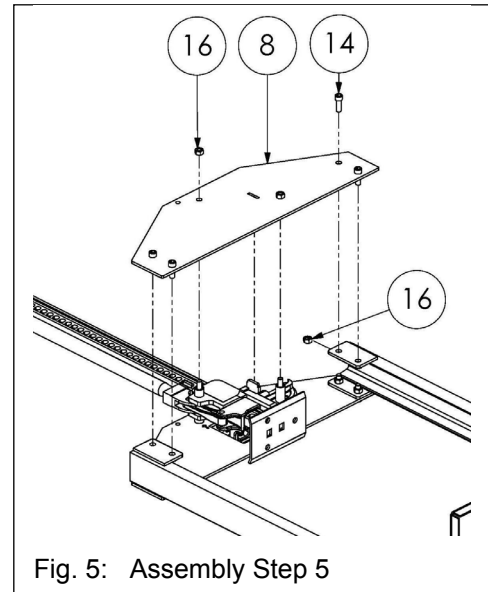


Fig. 5: Assembly Step 5

**Step 6:** Connect the compactor plate (13) to the end of the jack with the carriage bolts (17) along with 7/16-14 nylock nuts with warning labels facing the jack (Fig. 6). Place 7/16-14 x 1 1/4" bolts into correct holes for drum stop (Fig. 7). The inside holes are for 30 gallon drums and the outside holes are for 55 gallon drums.

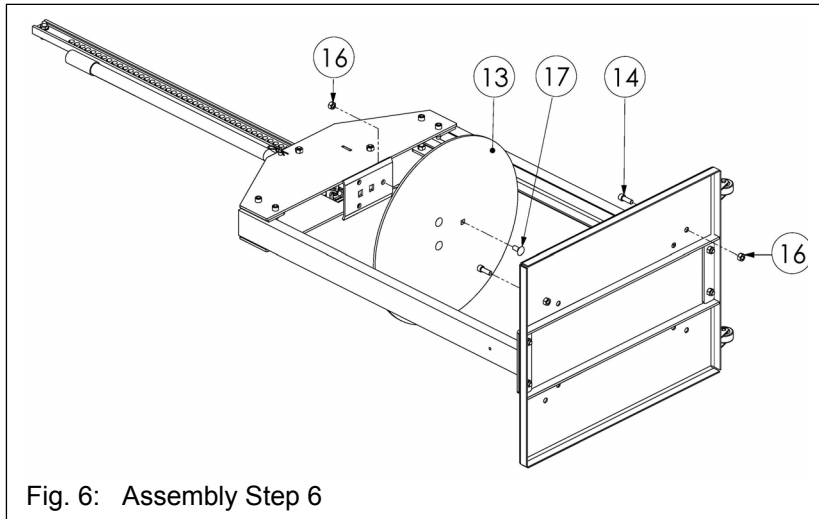


Fig. 6: Assembly Step 6

**Step 7:** Store the compactor with the handle in an upright position. To secure the handle, insert the clevis pin (11) into hole when unit is not in use. Lock the pin in place with the hitch pin clip (12). (See Fig. 7.)

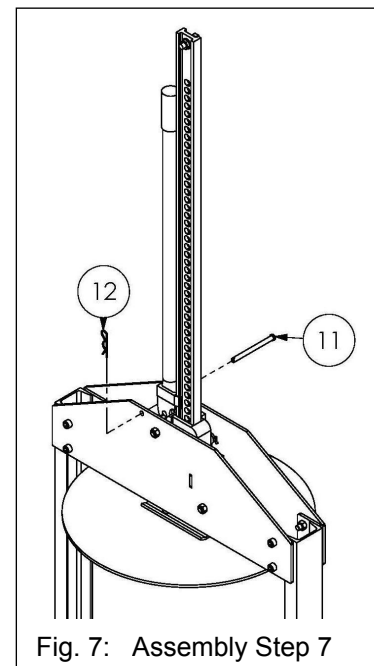


Fig. 7: Assembly Step 7

**Step 8: MTC-RB ONLY:** Place  $\text{Ø } 1/4 - 20 \text{ UNC X } 3/4$  bolts and 1/4in. lock washers through vertical support holes (Fig. 8).

**Step 9: MTC-RB ONLY:** Insert #15 bolt through the bottom hole on either vertical support weldment, and through the hole on the roll-out tray when moving unit (Fig. 8).

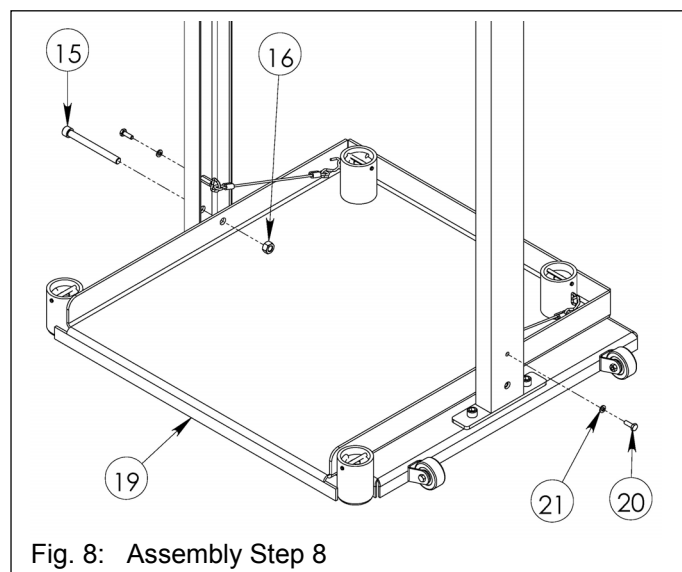


Fig. 8: Assembly Step 8

## Operation instructions:

**Read the entire manual before you use the compactor for the first time AND before each subsequent use.** If questions remain after you finish reading the manual, contact Vestil for answers. **DO NOT** attempt to resolve problems with the compactor UNLESS you are certain that it will be safe to use afterwards.

### **WARNING**

Improper operation may result in serious personal injuries.

- DO NOT compact contents into a container that is structurally insufficient/compromised.
- ALWAYS inspect the compactor and the waste drum BEFORE each use according to the inspection instructions on p. 9. ONLY use the compactor if it passes the inspection.
- Waste storage drum may be too heavy for one person to maneuver. If necessary, ask someone to help you or employ additional means to move the drum.
- NEVER modify or alter the compactor in any way without express, written authorization from Vestil. Modifications and/or alterations might cause the compactor to function unpredictably, or might make the compactor unsafe to use.
- Keep fingers and hands away from compacting head while in use.
- DO NOT stand directly behind (in line with) the handle or lean over the handle during ratcheting. The handle may swing upwards if the handle is not pressed all the way down during ratcheting.

Step 1: Free the jack handle by removing the storage pin (11) (Fig. 7). Turn the jack direction levers to the “UP” position (Fig. 9), and fully raise the compactor plate. **MTC-RB units:** remove the bolt securing the roll-out tray (see Fig. 8 on p. 5).

Step 2: Center drum under the jack. **For MTC-RB units:** roll out tray, place drum on tray and push drum and tray under jack. Center drum under jack.

Step 3: Turn the jack direction levers to the “DOWN” position (Fig. 9).

Step 4: Stand to one side of the jack handle, so that your arms form a right angle with the handle, and ratchet the jack downward by moving the handle up and down. Be sure to fully raise and fully lower the handle, which is necessary for the jack mechanisms to properly interact.

Step 5: After the compactor plate contacts the waste material, continue ratcheting the jack until the desired degree of compaction is achieved. [NOTE: To optimally compress waste materials, use the compactor frequently.]

Step 6: Once compaction is complete, turn both direction levers to the “UP” position (Fig. 9).

Step 7: Raise the jack until the compactor plate is high enough to remove the drum or until the compactor plate reaches the fully raised position.

Step 8: Put the jack handle in the storage position with the clevis pin (11). Secure the clevis with the hitch pin (12) (see Fig. 7 on p. 5).

Step 9: Remove the waste storage drum. If you have the MTC-RB model, roll out the tray, remove drum and push back onto the base weldment. MTC-RB model only: Lock the tray assembly in the storage position with a bolt (15) and nylock nut (16). (See Fig. 8 on p. 5.)

Step 10: Store the compactor in a location that offers protection from the elements. Keep the device dry at all times.

Jack movement direction:

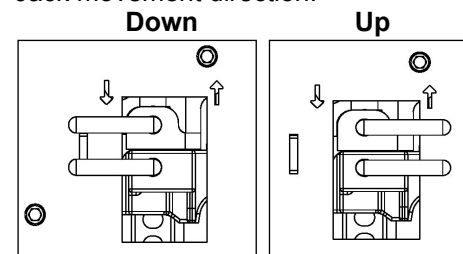


FIG. 9: Jack Direction Levers

## Moving the Compactor:

**⚠WARNING** Carelessness while moving the compactor might result in personal injuries.

- DO NOT move the compactor while loaded with a drum.
- Before moving the compactor, secure the jack handle in the storage position with clevis pin (11) & hitch pin (7).
- [Units with option MTC-RB] Secure the roll-out tray as described in Step 9 on p.6 before moving the unit.

Step 1: Stand to the side of the unit where the wheels are mounted; then grab the jack and jack handle. (See Fig. 10.)

Step 2: Tilt the unit towards you until the wheels contact the ground (Fig. 10).

Step 3: Push the compactor to desired location. Then, slowly lower the raised side of the unit until the base rests on the ground.



Fig. 10 Moving Unit wheel

## Maintenance and Inspections:

Regular maintenance is essential to keep the compactor in normal operating condition. DO NOT use the compactor if structural damage is discovered during an inspection. Structural damage includes, but is not limited to, cracked welds, warping or other deformation of the frame members.

### Inspections:

Regular/Frequent: before using it for the first time and before each subsequent use, examine the jack for:

1. Structural damage/deformation;
2. Abnormal function: ratchet the compactor plate up and down

Periodic: Inspect the following components at least once per month for corrosion, damage, and excessive wear, noisy or rough operation:

1. Compactor plate;
2. Jack front and back plates;
3. Jack and jack handle;
4. Fasteners (bolts, nuts, clevis pin and hitch pin);
5. Labels (as shown on p. 8).

### Maintenance:

Implement a maintenance program to ensure that the compactor remains in normal operating condition.

Step 1: Tag the compactor, "Out of Service."

Step 2: Conduct "Regular/Frequent" and "Periodic" inspections.

Step 3: If deformity, corrosion, rusting, or excessive wear of structural members is present, DO NOT use the compactor. Contact Vestil for instructions.

Step 4: Perform all other necessary adjustments and/or repairs.

**⚠WARNING** Perform all necessary adjustments and repairs but DO NOT modify the compactor. DO NOT use the compactor if adjustments and/or repairs are incomplete! Return the compactor to service ONLY after finishing all necessary repairs and adjustments.

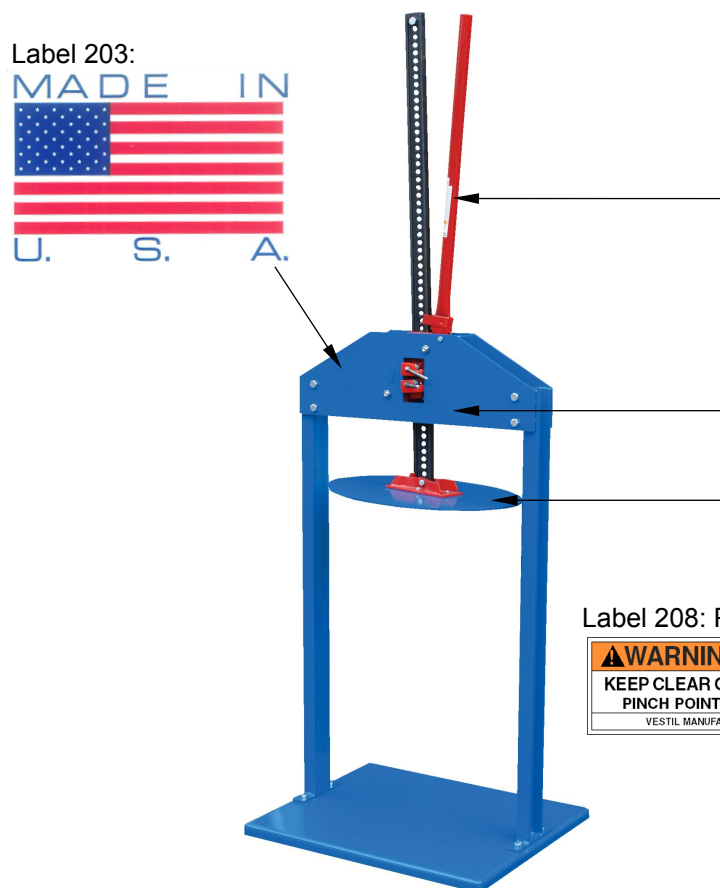
- Adjustments are simple corrections that restore the compactor to normal operating condition, such as tightening loose fasteners or removing dirt or other debris from the surface of the compactor.
- "Repairs" are processes that restore the compactor to normal operating condition, e.g. replacing worn or damaged parts.
- A modification is a change that alters the compactor from its original condition, like bending the structural members or removing part(s). DO NOT modify the compactor without the express, written approval of Vestil. Modifications may render the compactor unsafe to use. If Vestil approves a modification in writing, you are responsible for labeling the equipment with the following information:
  1. Name of the person(s) who performed the modifications;
  2. Date modifications performed;
  3. Description of modification(s).

Step 5: Contact Vestil for directions if a condition(s) are discovered during an inspection that is/are not addressed in this manual.

Step 6: Make a dated record of the repairs, adjustments and/or replacements made.

**Label placement diagram:**

The compactor should always be labeled as shown in the diagram below. Replace any label that is damaged or unreadable. Contact Vestil for replacement labels.



Label 208: Pinch point

<b>⚠ WARNING</b>	<b>⚠ ADVERTENCIA</b>	<b>⚠ AVERTISSEMENT</b>
KEEP CLEAR OF PINCH POINT	MANTENGASE ALEJADO DEL PUNTO DE CORTE	SE TENIR À DISTANCE DU POINT DE PINCEMENT
VESTIL MANUFACTURING CORPORATION • Phone (260) 665-7586 • Fax (260) 665-1339 • sales@vestil.com • www.vestil.com		
		208 Revision 06/03



## LIMITED WARRANTY

Vestil Manufacturing Corporation (“Vestil”) warrants this product to be free of defects in material and workmanship during the warranty period. *Our warranty obligation is to provide a replacement for a defective original part if the part is covered by the warranty, after we receive a proper request from the warrantee (you) for warranty service.*

### Who may request service?

Only a warrantee may request service. *You are a warrantee if* you purchased the product from Vestil or from an authorized distributor AND Vestil has been fully paid.

### What is an “original part”?

An original part is a part used to make the product as shipped to the warrantee.

### What is a “proper request”?

A request for warranty service is proper if Vestil receives: 1) a photocopy of the Customer Invoice that displays the shipping date; AND 2) a written request for warranty service including your name and phone number. Send requests by any of the following methods:

<u>Mail</u>	<u>Fax</u>	<u>Email</u>
Vestil Manufacturing Corporation 2999 North Wayne Street, PO Box 507 Angola, IN 46703	(260) 665-1339 <u>Phone</u> (260) 665-7586	sales@vestil.com

In the written request, list the parts believed to be defective and include the address where replacements should be delivered.

### What is covered under the warranty?

After Vestil receives your request for warranty service, an authorized representative will contact you to determine whether your claim is covered by the warranty. Before providing warranty service, Vestil may require you to send the entire product, or just the defective part or parts, to its facility in Angola, IN. The warranty covers defects in the following original dynamic components: motors, hydraulic pumps, electronic controllers, switches and cylinders. It also covers defects in original parts that wear under normal usage conditions (“wearing parts”), such as bearings, hoses, wheels, seals, brushes, and batteries.

### How long is the warranty period?

The warranty period for original dynamic components is 30 days. For wearing parts, the warranty period is 30 days. The warranty periods begin on the date when Vestil ships the product to the warrantee. If the product was purchased from an authorized distributor, the periods begin when the distributor ships the product. Vestil may, at its sole discretion, extend the warranty periods for products shipped from authorized distributors by up to 30 days to account for shipping time.

### If a defective part is covered by the warranty, what will Vestil do to correct the problem?

Vestil will provide an appropriate replacement for any covered part. An authorized representative of Vestil will contact you to discuss your claim.

### What is not covered by the warranty?

1. Labor;
2. Freight;
3. Occurrence of any of the following, which automatically voids the warranty:
  - Product misuse;
  - Negligent operation or repair;
  - Corrosion or use in corrosive conditions;
  - Inadequate or improper maintenance;
  - Damage sustained during shipping;
  - Accidents involving the product;
  - Unauthorized modifications: DO NOT modify the product IN ANY WAY without first receiving written authorization from Vestil. Modification(s) might make the product unsafe to use or might cause excessive and/or abnormal wear.

### Do any other warranties apply to the product?

Vestil Manufacturing Corp. makes no other express warranties. All implied warranties are disclaimed to the extent allowed by law. Any implied warranty not disclaimed is limited in scope to the terms of this Limited Warranty.

